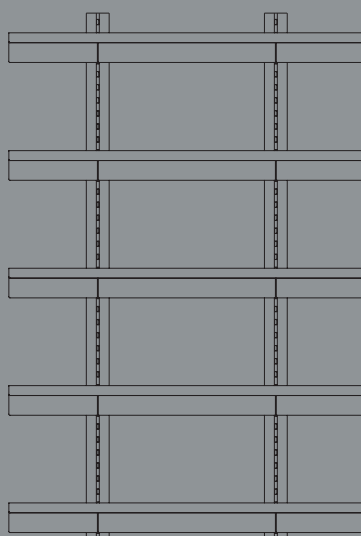
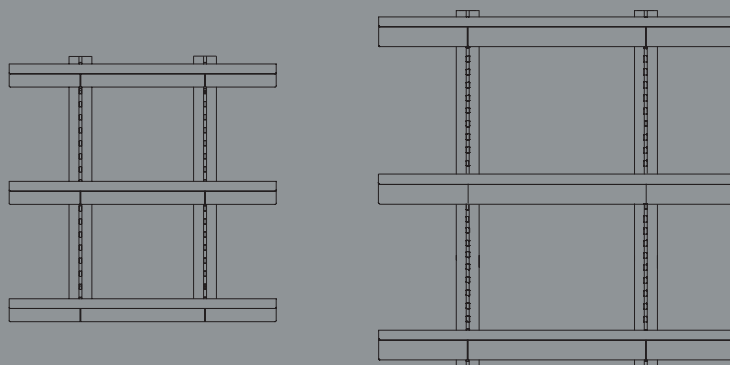


INSTRUCTION MANUAL

STANDARD ISSUE



By Frank

HAY

INTRODUCTION

Inspired by the raw functionality of commercial steel shelving solutions, Standard Issue goes back to basics intent on exposing the beauty in the bare essence of an object. The uncluttered form has been reinterpreted with a sharper silhouette and renewed sense of scale, while retaining its function and strength. Crafted in powder coated steel, this versatile shelving system is designed to be used in both commercial and domestic environments and can be mounted in smaller groups or floor to ceiling constellations.

CARE AND MAINTENANCE

CAUTION

Make sure to check what kind of wall you are mounting your Standard Issue onto. The supplied mounting fixings are designed for use on brick/ concrete walls. Use different rawl plugs if mounting onto other kinds of materials.

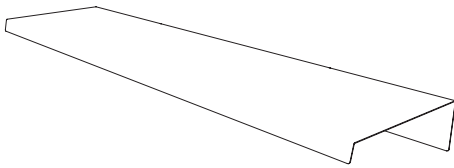
Be careful not to scratch or damage the surface when mounting/ dismantling the shelves.

Please note the max. weight is 15 kg per shelf, which is related to the strength of the wall fixings.

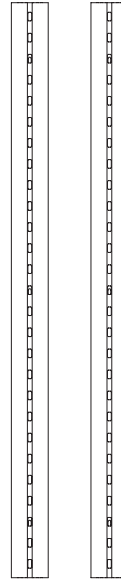
POWDER COATED STEEL

- Wipe with a clean cloth wrung in water or in a solution of water and a neutral detergent. Remove soap residue immediately using a clean, dry cloth.
- Avoid using scouring cream or scouring pads, as they may scratch the surface.
- White spirit (mineral spirit) can be used to carefully remove stains from chromed surfaces.

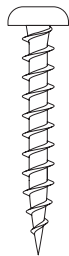
PARTS



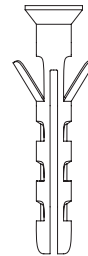
A x 3 (90x90,120x120)
A x 5 (180x120)



B x 2



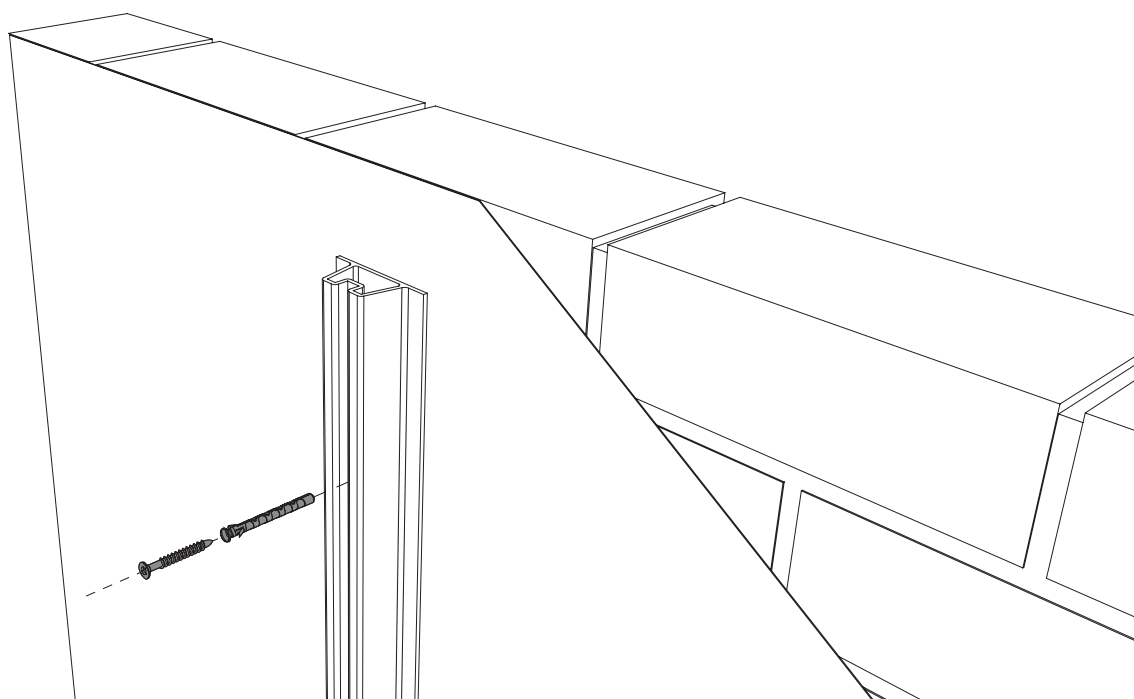
C x 4 (90x90,120x120)
C x 6 (180x120)



D x 4 (90x90,120x120)
D x 6 (180x120)

!

Make sure to check what type of wall you are mounting your Standard Issue onto.
The supplied mounting fixings are designed for use on brick/concrete walls. Use different
rawl plugs if mounting onto other kinds of materials.

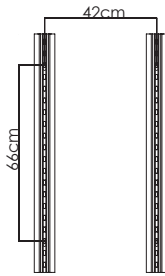
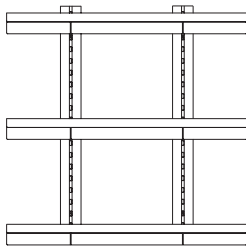


1.

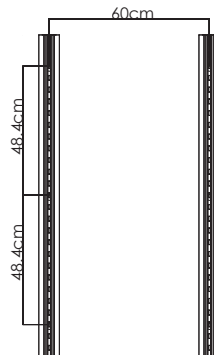
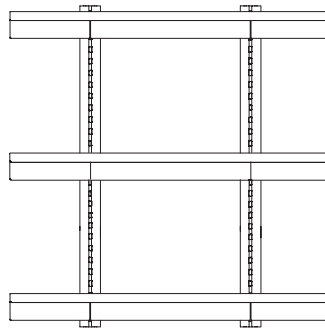
Depending on the size of your Standard Issue, the placement of the holes will vary.

Please refer to the illustration below when marking and drilling the holes.

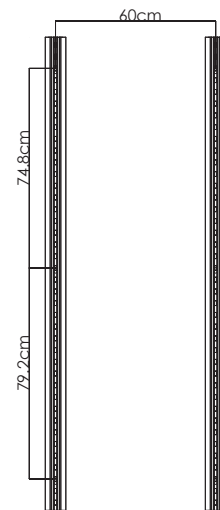
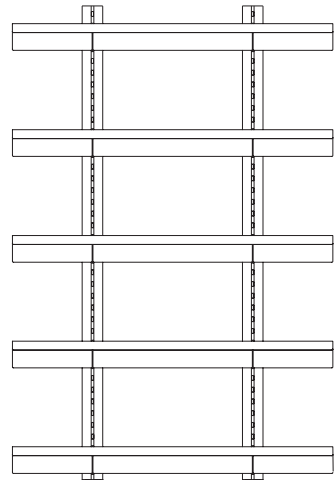
Standard Issue
90x90



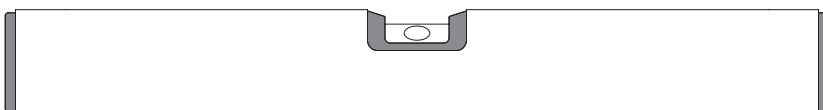
Standard Issue
120x120



Standard Issue
180x120



Make sure to use a spirit level when aligning and measuring the holes.



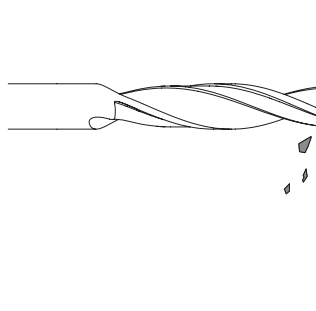
2.

Mark the holes with a pen.



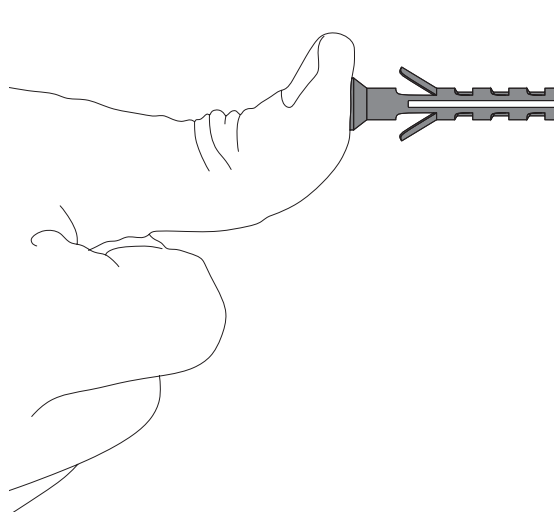
3.

Drill a hole in the wall using Ø6 drill.



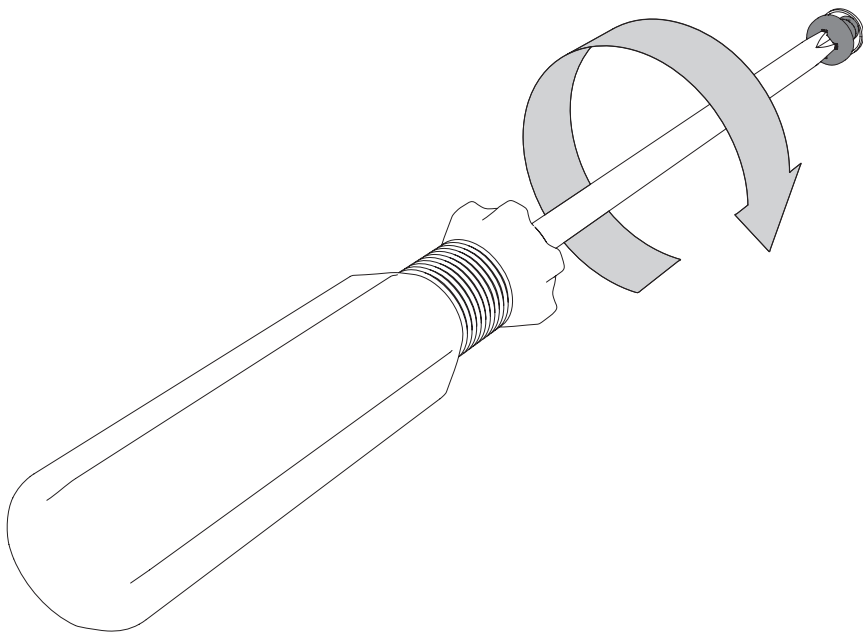
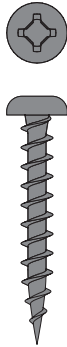
4.

Firmly push the rawl plug D into the hole,
making sure that it goes all the way in.

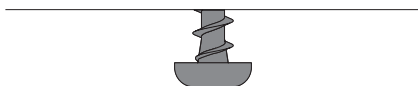


5.

Use the supplied screws C and a screwdriver to secure them in the wall.

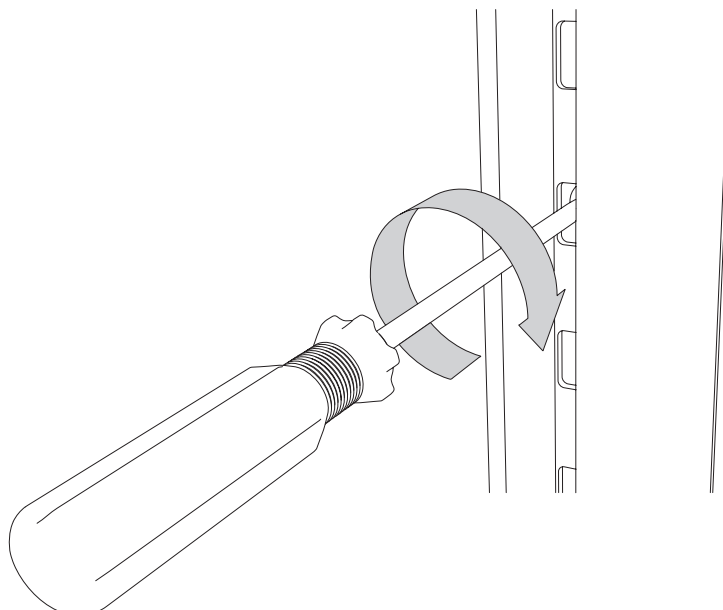
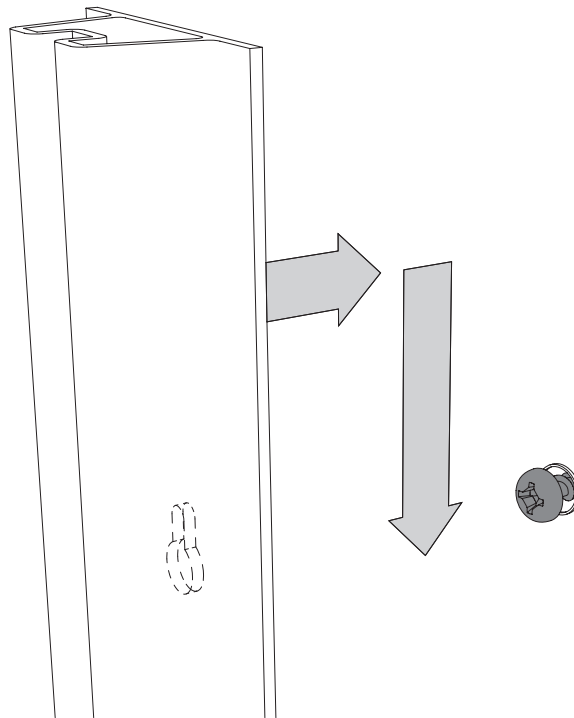


Make sure to leave 1-2 cm of the screws exposed



6.

Align the bar with the screws and mount it to the walls, letting the key holes slide down over the screws. Tighten the screws completely.

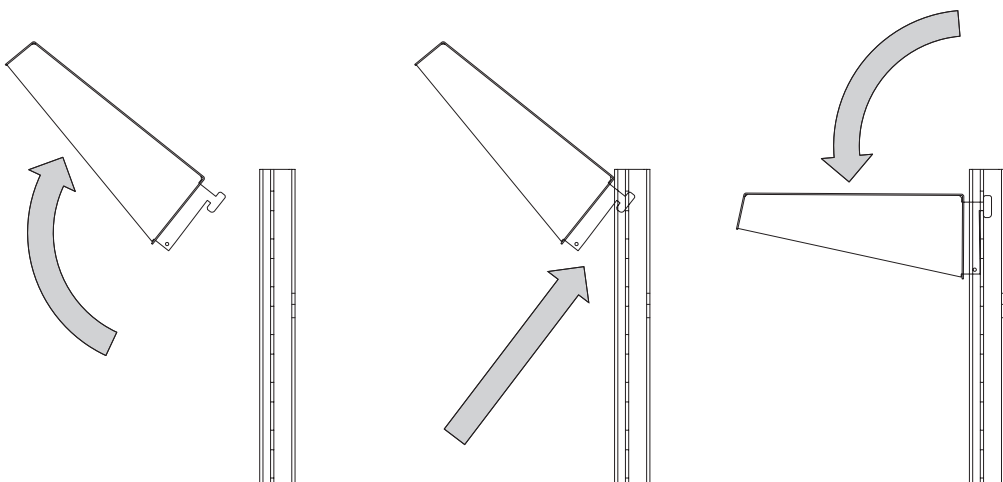
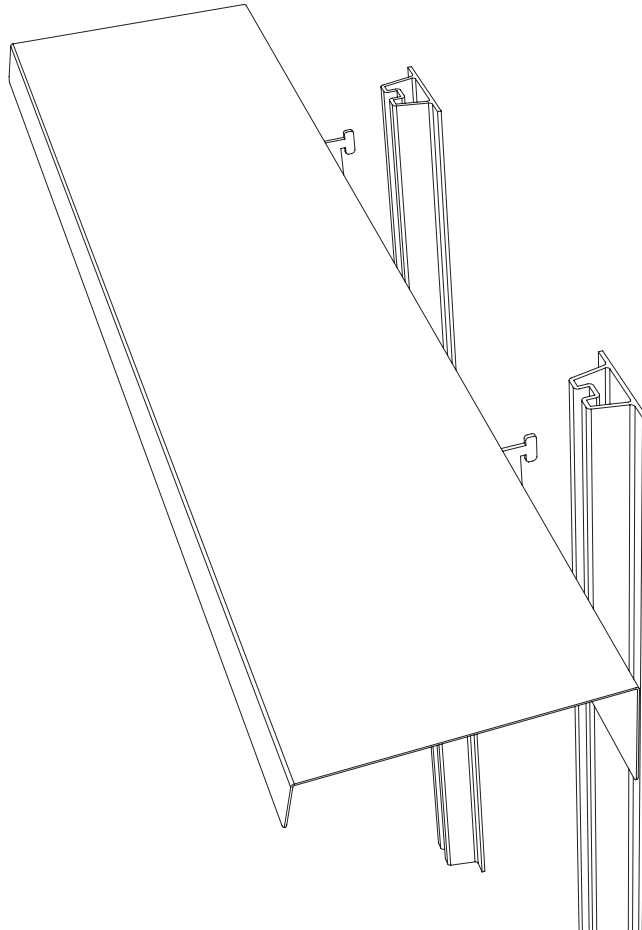


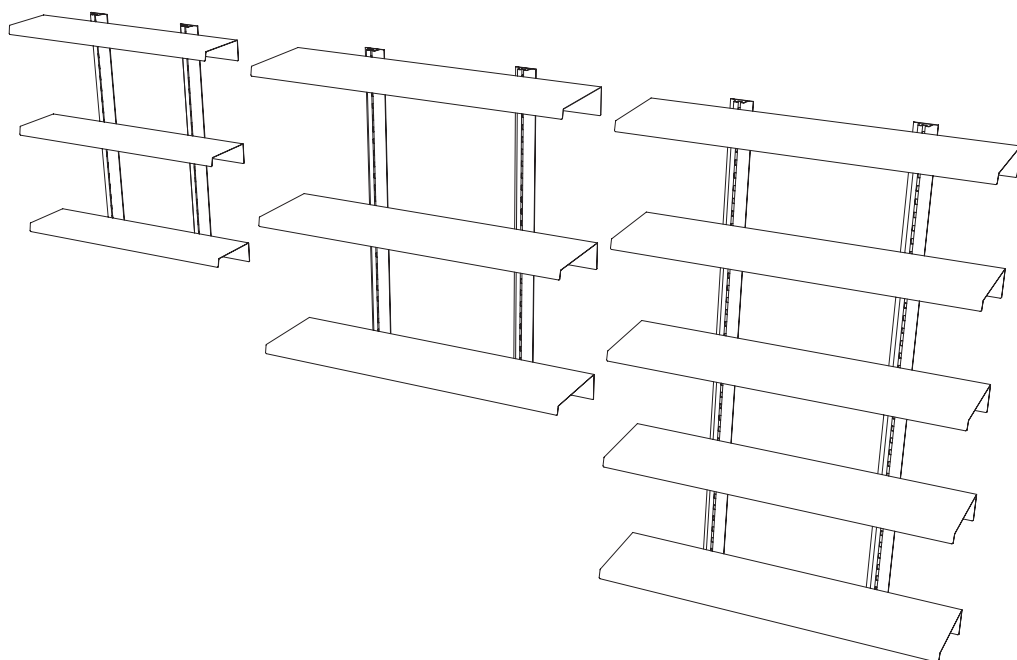
!

Please note that the powder coating is delicate, so be careful when mounting/dismounting the beams A in order to avoid damaging the surface.

7.

Mount the shelves onto the profiles, making sure that both sides lock securely into place.





!

Please note the max. weight is 15 kg per shelf, which is related to the strength of the wall fixings.

Havnen 1 8700 Horsens Denmark
+45 4282 0282 / hay@hay.com

HAY

ITEM NO. 706351

